

# HELI

## CBD20J-H(LI)

Electric Pallet Truck

### Characteristics:

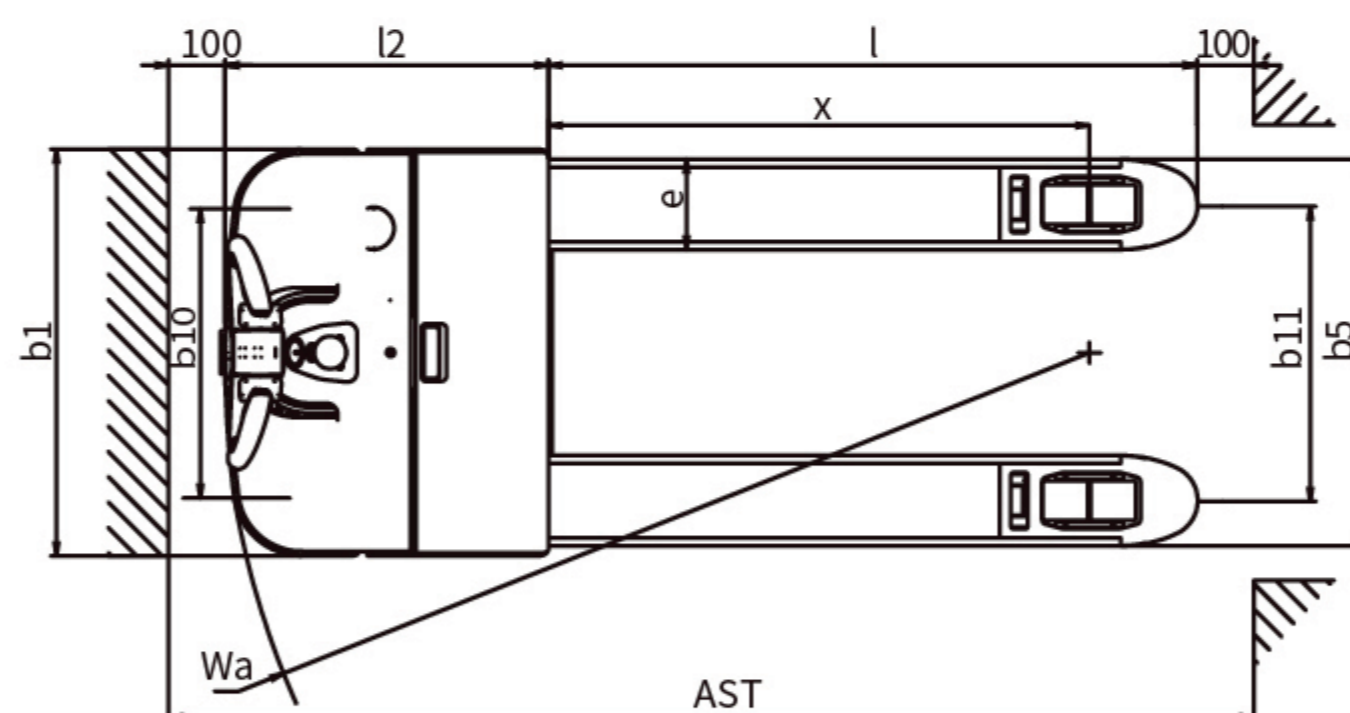
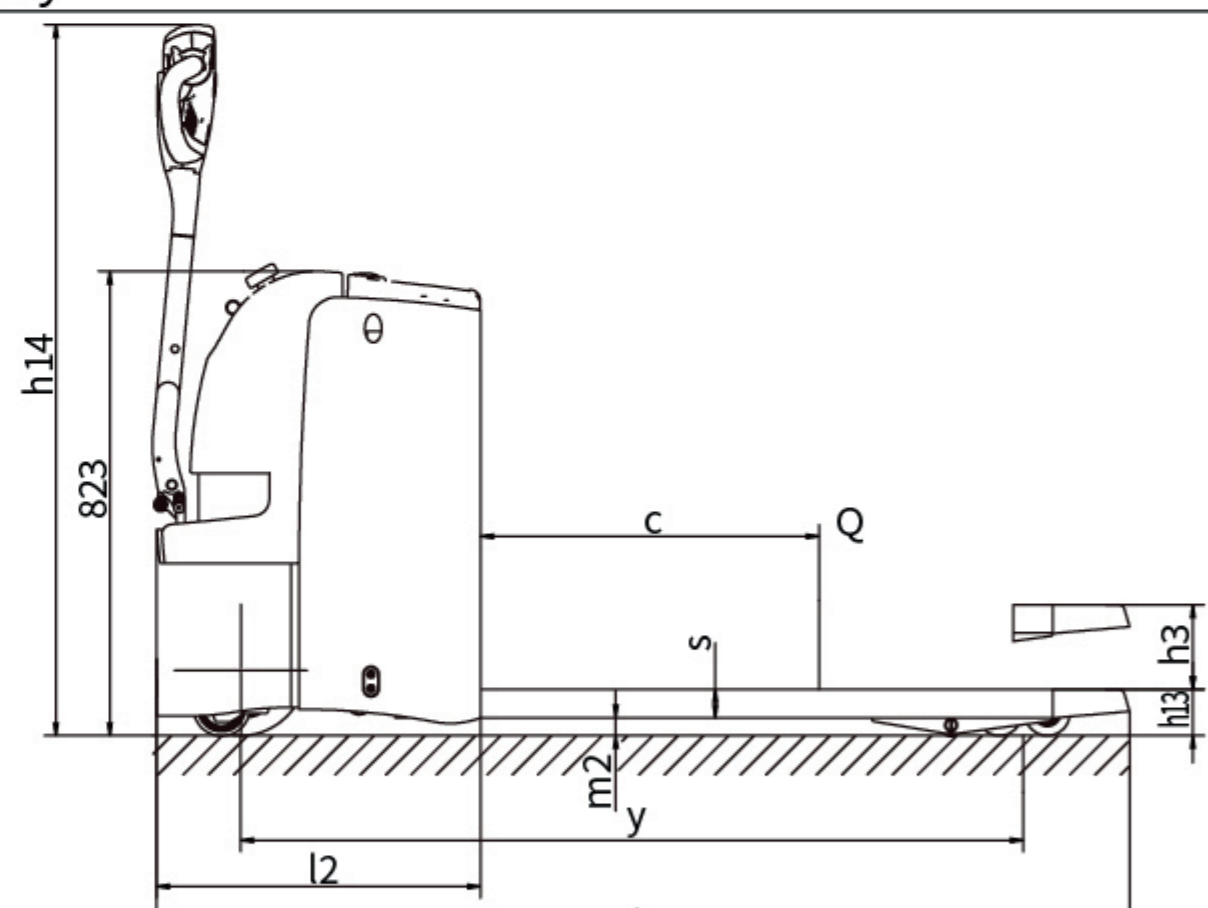
1. The truck has compact structure and small turning radius, suitable for narrow space;
2. Electric lifting limit function: when the fork rises to the top, the system will automatically cut the lifting circuit, with high safety, low energy consumption and long service life;
3. Adopt is simple, economic and high reliable;mechanical steering
4. Emergency stop switch and emergency reverse device as standard configuration.ensure truck safety;
5. Auxiliary wheels on both sides to improve driving stability;
6. AC drive system has light operation and excellent performance;
7. Long operating handle is ergonomic and comfortable for operation.



# CBD20J-H(LI)

## Manufacturer's Data and Design Characteristics

Characteristics			
1.1	Manufacturer		HELI
1.2	Model		CBD20J-H(LI)
1.3	Operator type		Pedestrian propelled
1.4	Rated capacity	Q (kg)	2000
1.5	Lift height	h3 (mm)	200
1.6	Service weight with battery	kg	520
1.7	Load centre	c (mm)	600
1.8	Axle centre to fork face	x (mm)	962
1.9	Wheel base	y (mm)	1388
1.10	Controller		CURTIS
Wheels			
2.1	Wheels type		Polyurethane
2.2	Driving wheel size	$\Phi \times w$ (mm)	$\Phi 230 \times 70$
2.3	Bearing wheel size	$\Phi \times w$ (mm)	$\Phi 80 \times 70$
2.4	Additional wheels(dimensions)	$\Phi \times w$ (mm)	$\Phi 100 \times 40$
2.5	wheels, number front/rear (x = driven)		1x+2/4
2.6	track width, rear, loading side	b11 (mm)	390/525
Dimensions			
3.1	Overall length	l1 (mm)	1742
3.2	Length to fork face	l2 (mm)	592
3.3	Overall width	b1 (mm)	700
3.4	Fork dimensions	s/e/l (mm)	50/160/1150
3.5	Width of forks	b5 (mm)	550/685
3.6	Lowered height	h13 (mm)	85
3.7	Min.Ground clearance	m2 (mm)	35
3.8	Height drawbar in driving position min./max.	h14 (mm)	825/1278
3.9	Aisle width with pallet 1000 x 1200 across forks	Ast (mm)	1944
3.10	Aisle width with pallet 800 x 1200 along forks	Ast (mm)	1994
3.11	Min.Turning radius	Wa (mm)	1556
Performance			
4.1	Travel spees,with/without load	(km/h)	4.2/4.5
4.2	Lifting speed, with/without load	(mm/s)	21/27
4.3	Lowering speed, with/without load	(mm/s)	38/38
4.4	Max. Gradeability laden/unladen	(%)	8/15
4.5	Service brake type		Electromagnetic brake
Drive and Battery			
5.1	Drive motor,output s2 60 min.	(kW)	1.3 (AC)
5.2	Lift motor rating at s3 15%	(kW)	0.8 (DC)
5.3	Battery according to din 43531/35/36 a,b,c,no		no
5.4	Battery voltage/rated capacity	(V/Ah)	24/210
5.5	Battery weight ( $\pm 5\%$ )	(kg)	195
Others			
6.1	Type of drive control		AC
6.2	Sound pressure level at driver's ear	(dB(A))	$\leq 70$
6.3	Steering type		Mechanical steering
Option			
7.01	Lithium battery	V/Ah	24/150, 200



检测 CNAS L7096

**HELI CANADA**

5705, place Kubota  
Drummondville (Qc)  
Canada, J2B 6V4  
1-833-HELICAN  
info@heliforklift.ca  
heliforklift.ca



Our products are subject to improvements and changes without notice.