

HELI

CBD15J/18J/20J-Li3

**The 3rd Generation Lithium
Battery Pallet Truck**

LIION



Load
Capacity

1.5-2t

EMPOWER THE WORLD

1 EASY TO MAINTENANCE



 **Lithium battery, maintenance free**

 **Brushless drive motor, maintenance free**

 **5s Replace Battery**

 **Error code display**

 **Perfect after-sales and accessory services**

 **Built-out charger is standard**

2 PERFORMANCE


Traveling speed

− UNLADEN 4.5Km/h
+ LADEN 4.2Km/h

Gradeability

Without load 10%


With load 5%



3 CHARACTERISTICS

closer look into



Built-in Charger (Optional)



Built-out Charger



Concave Design



Integral Forks



PU Wheel



Smart Handle (Optional)



Normal Handle



Emergency Power-off Switch



Wire Harness Fixing Block



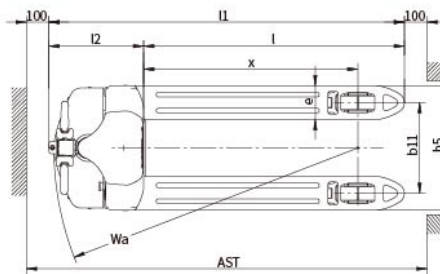
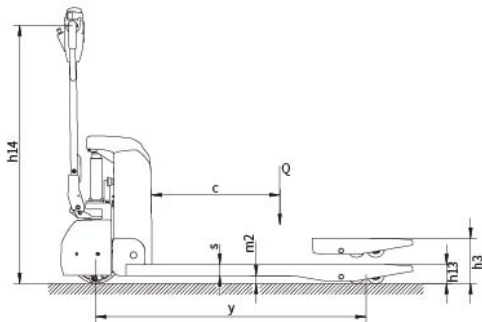
Protection Cover



CBD15J/18J/20J-Li3

Manufacturer's Data and Design Characteristics

Characteristics									
1.01	Manufacturer	HELI							
1.02	Model	CBD15J-Li3		CBD18J-Li3		CBD20J-Li3			
1.03	Power unit	Electric		Electric		Electric			
1.04	Operation	Pedestrian		Pedestrian		Pedestrian			
1.05	Rated traction weight	Q (t)	1.5		1.8		2.0		
1.06	Load centre	c (mm)	600		600		600		
1.07	Axle centre to fork face	x (mm)	944		944		944		
1.08	Wheel base	y (mm)	1190		1190		1190		
Weights									
2.01	Service weight with battery	kg	138		148		150		
Wheels/Tyres									
3.01	Wheels type	Polyurethane		Polyurethane		Polyurethane			
3.02	Driving wheel size	$\Phi \times w$ (mm)	$\Phi 210 \times 70$		$\Phi 210 \times 70$		$\Phi 210 \times 70$		
3.03	Bearing wheel size	$\Phi \times w$ (mm)	$\Phi 80 \times 60$		$\Phi 80 \times 60$		$\Phi 80 \times 60$		
3.04	Wheels, number front/rear (x = driven)		1x/4		1x/4		1x/4		
3.05	Track width	b11 (mm)	400/535		400/535		400/535		
Dimensions									
4.01	Lift	h3 (mm)	200		200		200		
4.02	Overall height(With handle)	h14 (mm)	725/1145		725/1145		725/1145		
4.03	Lowered henght	h13 (mm)	85		85		85		
4.04	Overall length	l1 (mm)	1550		1550		1550		
4.05	Length to fork face	l2 (mm)	400		400		400		
4.06	Overall width	b1/ b2 (mm)	550/685		550/685		550/685		
4.07	Fork dimensions	s/e/l (mm)	50/150/1150		50/150/1150		50/150/1150		
4.08	Width of forks	b5 (mm)	550/685		550/685		550/685		
4.09	Min.Ground clearance	m2 (mm)	35		35		35		
4.10	Aisle width with pallet 1000 x 1200 across forks	Ast (mm)	1750		1750		1750		
4.11	Aisle width with pallet 800 x 1200 along forks	Ast (mm)	1800		1800		1800		
4.12	Min.Turning radius	Wa (mm)	1345		1345		1345		
Performance									
5.01	Travel speed,laden/unladen	(km/h)	4.2/4.5		4.2/4.5		4.2/4.5		
5.02	Maximum climbing ability, with/without load	(%)	5/10		5/10		5/10		
5.03	Service brake		Electromagnetic brake		Electromagnetic brake		Electromagnetic brake		
Drive									
6.01	Drive motor, 60 minute rating	(kW)	0.75		0.75		0.75		
6.02	Lift motor rating at S3 15%	(kW)	0.8		0.8		0.8		
6.03	Battery according to DIN 43531/35/36 A,B,C,no		no		no		no		
6.04	Battery voltage/rated capacity	(V/Ah)	24/20	24/30	24/40	48/15	48/20	48/15	48/20
6.05	Battery weight ($\pm 5\%$)	(kg)	5.5	7	8.2	7	8.2	7	8.2
Others									
7.01	Type of drive control		DC		DC		DC		
7.02	Noise level at operator's ear	(dB(A))	≤ 70		≤ 70		≤ 70		
7.03	Steering type		Mechanical steering		Mechanical steering		Mechanical steering		
7.04	Controller brand		Curtis		Curtis		Curtis		



检测 CNAS L7098

HELI CANADA

5705, place Kubota
Drummondville (Qc)
Canada, J2B 6V4
1-833-HELICAN
info@heliforklift.ca
heliforklift.ca



Our products are subject to improvements and changes without notice.