

HELI

4000-7000 lbs [2-3.5t]

H3 IC Pneumatic Tire Forklift

CPCD20-35 & CP(Q)YD20-35



H3 SERIES CPCD20-35 & CP(Q)YD20-35

Heli H3 Series Features

Improved performance, superior quality



Ergonomics

- > Vibration isolators separate the operator compartment from the main frame and the engine/transmission which absorb the truck's vibration for increased operator comfort
- > Engine performance and repositioned hydraulic pump offer quieter and smoother operation and less noise
- > Improved hydraulic control functions also reduce noise and increase performance

Operator Comfort - Visibility

- > Operator compartment has been enhanced by creating more foot and leg room with plenty of head room under the overhead guard
- > Visibility has been improved with narrower mast channels and more open overhead guard
- > Higher contrast LED display makes it easier to see in all lighting conditions
- > Comfortable suspension seat is standard with full adjustment for different operators
- > Low, wide step and grab handle make for easy entry to operator's compartment
- > Controls and park brake are within easy reach to reduce operator strain

Safety

- > All Heli forklifts for North America meet ANSI B56.1 Safety Standard for Powered Industrial Trucks as well as meeting requirements for CE approval
- > All Heli forklifts come standard with Operator Presence System
- > Optional rear grab handle and horn button allows operator to safely drive in reverse
- > Strobes, Beacons or Blue Lights and Alarms are all available as required

Increased Productivity

- > Smaller turning radius and hydraulic power steering makes for tighter turns and easier steering operation
- > Reliable powershift transmission relieves operator from constantly shifting transmission
- > H3 series hydraulic performance has been enhanced for maximum productivity
- > Ergonomically designed operator's compartment enhances operator productivity, as well as providing safety and comfort

Improved Performance

- > All aluminum radiator increases air flow and dissipates heat more efficiently
- > Smaller steering wheel with fewer turns lock-to-lock for quicker turns
- > 35% faster lifting speeds over previous generations
Lifting cylinders are damped to reduce noise and provide smoother operation
- > Heavy duty powertrain offers exceptional performance in all applications

Serviceability

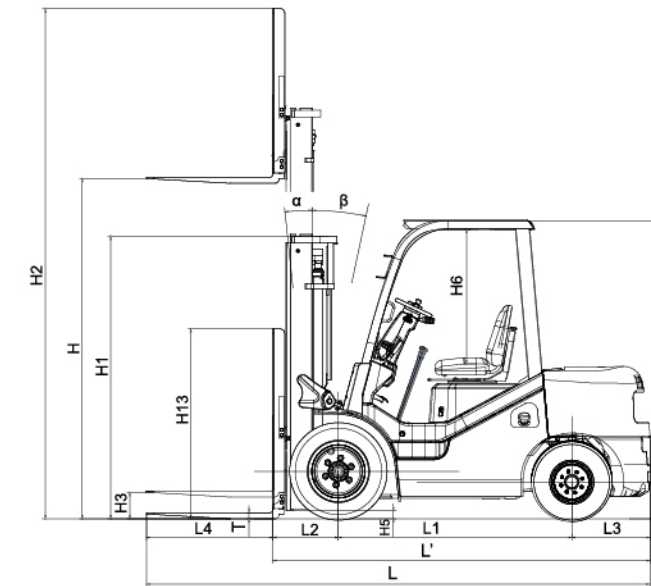
- > Hood opens to an 80 degree angle and floor board is removable for easier access to all important chassis components
- > Electrical system, wiring, and hydraulic hoses are convenient and logically laid out with access from above and below
- > All grease points are accessible, including cast steel axle
- > Lubrication chart is located on front of operator compartment to highlight essential lubrication requirements



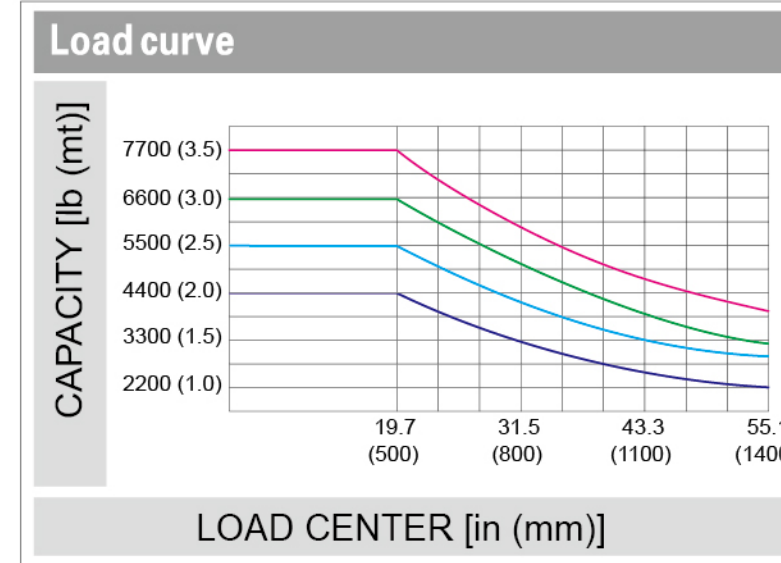
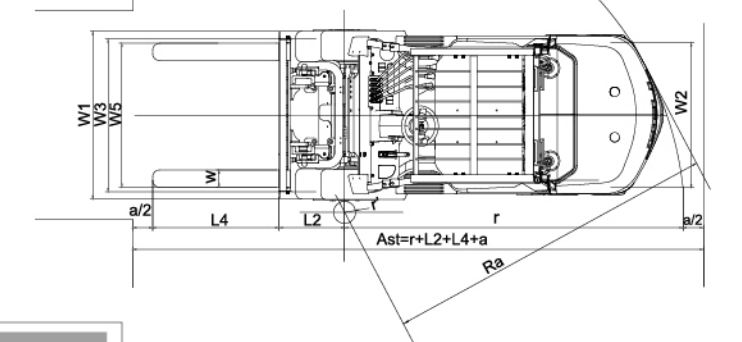
H3 SERIES CPCD20-35 & CP(Q)YD20-35

Manufacturer and technical parameters

Characteristic		HELI															
		CPCD20/ CP(Q)YD20				CPCD25/ CP(Q)YD25				CPCD30/ CP(Q)YD30				CPCD35/ CP(Q)YD35			
1.01	Manufacturer																
1.02	Model																
1.03	Rated Capacity	lbs	kg	4000	2000	5000	2500	6000	3000	7000	3500						
1.04	Load Center	in	mm	24	500	24	500	24	500	24	500						
1.05	Operation Type	Seat-type															
Dimension Parameter																	
2.01	Max.Lifting Height(without backrest)	H	in	mm	118.2	3000	118.2	3000	118.2	3000	118.2	3000					
2.02	Overall Lowered Height	H1	in	mm	78.8	2000	78.8	2000	81.4	2065	85.9	2180					
2.03	Max.Lifting Height(with backrest)	H2	in	mm	158.8	4030	158.8	4030	167.3	4245	166.9	4235					
2.04	Free Lifting Height	H3	in	mm	6.5	165	6.5	165	6.3	160	6.7	170					
2.05	Overall Height(to overhead guard)	H4	in	mm	84.7	2150	84.7	2150	85.5	2170	85.5	2170					
2.06	Min.Ground Clearance(under mast)	H5	in	mm	4.5	115	4.5	115	5.3	135	5.3	135					
2.07	Overhead guard clearance(from seat face)	H6	in	in	40.6	1030	40.6	1030	40.6	1030	40.6	1030					
2.08	Tow Pin Height	H9	in	mm	10.8	275	10.8	275	11	280	11	280					
2.09	Backrest Height(From the surface of the fork)	H13	in	mm	39.4	1000	39.4	1000	48.3	1227	48.1	1222					
2.10	Overall Length(without Forks)	(L/L')	in	mm	101.7	2580	103.9	2638	108.3	2748	109	2766					
2.11	Wheelbase	L1	in	mm	65	1650	65	1650	67	1700	67	1700					
2.12	Front Overhang	L2	in	mm	18.6	473	18.6	473	18.8	478	19.5	496					
2.13	Rear Overhang	L3	in	mm	18	457	20.3	515	22.5	570	22.5	570					
2.14	Overall Width	W1	in	mm	45.3	1150	45.3	1150	48.3	1225	48.3	1225					
2.15	Tread(Front Tread/Rear Tread)	(W3/W2)	in	mm	38.2/38.2	970/970	38.2/38.2	970/970	39.4/38.2	1000/970	39.4/38.2	1000/970					
2.16	Lateral Fork Adjustment(Outside of Forks)	W5	in	mm	40.6/9.6	244/1030	40.6/9.6	244/1030	41.8/9.9	250/1060	41.8/9.9	250/1060					
2.17	Min.Turning Radius Outside	r	in	mm	85.5	2170	88.3	2240	94.6	2400	95.3	2420					
2.18	Min.Ground Clearance(wheelbase centre)	r'	in	mm	7.1	180	7.1	180	7.9	200	7.9	200					
2.19	Min. Right Angle Stacking Aside Width	Ra	in	mm	86.7	2200	89.8	2280	93.8	2380	94.6	2400					
2.20	Mast Tilt(fwd/bwd)	α/β	deg	deg	6/12	6/12	6/12	6/12	6/12	6/12	6/12	6/12					
2.21	Fork Dimensions (Length*Width*Thicknes)	L4*W*T	in	mm	36*4.8*1.6	920*122*40	42*4.8*1.6	1070*122*40	42*4.9*1.8	1070*125*45	42*4.9*2.0	1070*125*50					
Weights																	
3.01	Standard Truck Weight Unload	lbs	kg	7540	3420	8377	3800	9634	4370	10582	4800						
3.02	Weight Distribution Rated Load(front/rear)	lbs	kg	10516/1433	4770/650	12081/1808	5480/820	14242/2006	6460/910	16468/1830	7470/830						
3.03	Weight Distribution Unload(front/rear)	lbs	kg	3527/4013	1600/1820	3439/4938	1560/2240	3770/5864	1710/2660	4145/6437	1880/2920						
Wheels&Tires																	
4.01	Wheel Number(x=driven wheel),front/rear	2X/2															
4.02	Tire Type,front/rear	Pneumatic Tire															
4.03	Tire Size,front/rear	7.00-12-12PR/ 6.00-9-10PR				7.00-12-12PR/ 6.00-9-10PR				28×9-15-12PR/ 6.50-10-10PR				28×9-15-14PR/ 6.50-10-10PR			
4.04	Service Brake	Hydraulic-Foot Pedal															
4.05	Parking Brake	Mechanical-Hand Lever															



Ast: right angle stacking aisle width
a: Clearance
L4: Fork Length



NOTE: Capacities shown are reference only. They are computed with mast in vertical position based on 48 inch cube load configuration with center of gravity at true center of cube and standard forks. Longer forks and unusually wide loads can reduce capacity. Consult dealer for any questions about capacities.

Performance																																	
Model		CPCD20				CPCD25				CPCD30				CPCD35				CP(Q)YD20				CP(Q)YD25				CP(Q)YD30				CP(Q)YD35			
Max.Drawbar pull(Load/unload)	lbf	KN	4280/2740	19/12	4688/2740	21/12	4275/3263	19/14.5	4725/3263	21/14.5	3150/2363	14/10.5	3150/2363	14/10.5	3600/3038	16/13.5	4050/3038	18/13.5															
Max.Gradeability(Load/Unload)	%	%	39/27		36/22		27/21		21/20		30/26		29/22	29/22	28/22		18/21																
Max.Traveling Speed(Load/Unload)	mph	Km/h	10.6/11.2	17/18	9.9/10.6	16/17	10.6/11.2	17/18	11.2/11.8	18/19	10.6/11.2	17/18	10.6/11.2	17/18	11.2/11.8	18/19	11.2/11.8	18/19															
Lifting Speed(Load/unload)	ft/min	mm/s	110/118	560/600	110/118	560/600	98.5/108	500/550	78.8/82.7	400/420	105.4/118	535/600	105.4/118	535/600	89.6/100.5	455/510	70.9/78.8	360/400															
Lowing Speed(Load/unload)	ft/min	mm/s	88.7/98.5	450/500	88.7/98.5	450/500	88.7/108	450/550	69/78.8	350/400	88.7/98.5	450/500	88.7/98.5	450/500	88.7/108	450/550	69/78.8	350/400															
Engine and Gearbox																																	
Engine Manufacturer/Model		KUBOTA V2403T																															
Rated Power	hp/rpm	57.9																															
Rated Torque	lb.ft/rpm	146.4/1600																															
Cyl. Number		4																															
Displacement	L	L	2.434																														
Engine Type		Diesel																															
Emission		EPA Tier4																															
Battery Capacity	V/Ah	V/Ah	12/80																														
Fuel Tank Capacity	L	L	12/60																														
Number of speed(fwd/bwd)			60																														
		1-1 Power Shift T/M / 2-2 Manual Shift T/M																															



Wide view basic type mast

Mast type	Max. lifting height in/mm	Loading capacity- loading center 24 inch				Mast Overall Height-fork to the ground			Service Weight				Mast tilt angle (Fwd/Bwd) deg
		CPCD20/ CP(Q)YD20	CPCD25/ CP(Q)YD25	CPCD30/ CP(Q)YD30	CPCD35/ CP(Q)YD35	2-2.5t	3t	3.5t	CPCD20/ CP(Q)YD20	CPCD25/ CP(Q)YD25	CPCD30/ CP(Q)YD30	CPCD35/ CP(Q)YD35	
		lbs/kg	lbs/kg	lbs/kg	lbs/kg	in/mm	in/mm	in/mm	lbs/kg	lbs/kg	lbs/kg	lbs/kg	
M200	79/2000	4000/1820	5000/2270	6000/2730	7000/3175	59/1500	62/1570	66/1680	7363/3340	8201/3720	9435/4280	10361/4700	6/12
M250	99/2500	4000/1820	5000/2270	6000/2730	7000/3175	69/1750	72/1820	76/1930	7462/3385	8300/3765	9556/4335	10471/4750	6/12
M300	118/3000	4000/1820	5000/2270	6000/2730	7000/3175	79/2000	82/2070	86/2180	7539/3420	8377/3800	9634/4370	10582/4800	6/12
M330	130/3300	4000/1820	5000/2270	6000/2730	7000/3175	85/2150	87/2220	92/2330	7627/3460	8465/3840	9689/4395	10648/4830	6/12
M350	138/3500	4000/1820	5000/2270	6000/2730	7000/3175	89/2250	91/2320	96/2430	7672/3480	8509/3860	9744/4420	10692/4850	6/12
M370	146/3700	4000/1820	5000/2270	6000/2730	7000/3175	93/2350	95/2420	100/2530	7716/3500	8553/3880	9766/4430	10736/4870	6/6 *6/12
M400	158/4000	4000/1820	5000/2270	6000/2730	7000/3175	100/2550	103/2620	108/2730	7859/3565	8697/3945	9898/4490	10890/4940	6/6 *6/12
M425	168/4250	3800/1725 *4000/1820	4500/2040 *5000/2270	5700/2585 *6000/2730	6200/2815 *6400/2900	105/2675	108/2745	112/2855	7914/3590	8752/3970	9942/4510	10956/4970	6/6 *6/12
M450	177/4500	3600/1630 *3800/1725	4200/1905 *4800/2175	5200/2360 *6000/2730	6000/2730 *6100/2765	110/2800	113/2870	117/2980	7969/3615	8807/3995	9997/4510	11000/4990	6/6 *6/12
M500	197/5000	3200/1450 *3400/1540	3300/1495 *4400/1995	4800/2175 *5700/2585	5000/2270 *5700/2585	120/3050	123/3120	127/3230	8057/3655	8895/4035	10086/4575	11111/5040	6/6 *6/12
M550	217/5500	*3200/1450	*3900/1770	*4800/2175	*5700/2585	132/3350	135/3420	139/3530	8245/3740	9082/4120	10460/4745	11563/5245	*3/6
M600	236/6000	*3000/1360	*3600/1630	*4000/1820	*4000/1820	142/3600	145/3670	149/3780	8344/3785	9182/4165	10571/4795	11651/5285	*3/6

Note: (1) *stands for the rated capacity when the front tire is double-tire.
 (2) When the front tire of the 4000-7000lbs truck is double tire, the service weight of the truck is the weight in the table plus 242lbs.

Wide view Full Free 2-stage mast

Mast type	Max. lifting height in/mm	Loading capacity- loading center 24 inch				Mast Overall Height-fork to the ground			Free Lifting Height-with backrest			Service Weight				Mast tilt angle (Fwd/Bwd) deg
		CPCD20/ CP(Q)YD20	CPCD25/ CP(Q)YD25	CPCD30/ CP(Q)YD30	CPCD35/ CP(Q)YD35	2-2.5t	3t	3.5t	2-2.5t	3t	3.5t	CPCD20/ CP(Q)YD20	CPCD25/ CP(Q)YD25	CPCD30/ CP(Q)YD30	CPCD35/ CP(Q)YD35	
		lbs/kg	lbs/kg	lbs/kg	lbs/kg	in/mm	in/mm	in/mm	in/mm	in/mm	in/mm	lbs/kg	lbs/kg	lbs/kg	lbs/kg	
ZM200	79/2000	4000/1820	5000/2270	6000/2730	7000/3175	59/1500	62/1570	66/1680	20/495	13/340	18/460	7650/3470	8488/3850	9546/4330	10516/4770	6/12
ZM250	99/2500	4000/1820	5000/2270	6000/2730	7000/3175	69/1750	72/1820	76/1930	29/745	23/590	28/710	7749/3515	8587/3895	9634/4370	10626/4820	6/12
ZM300	118/3000	4000/1820	5000/2270	6000/2730	7000/3175	79/2000	82/2070	86/2180	39/995	33/840	38/960	7859/3565	8697/3945	9744/4420	10736/4870	6/12
ZM330	130/3300	4000/1820	5000/2270	6000/2730	7000/3175	85/2150	87/2220	92/2330	45/1145	39/990	43/1100	7926/3595	8763/3975	9799/4445	10792/4895	6/12
ZM350	138/3500	4000/1820	5000/2270	6000/2730	7000/3175	89/2250	91/2320	96/2430	49/1245	43/1090	48/1210	7970/3615	8807/3995	9844/4465	10836/4915	6/6 *6/12
ZM370	146/3700	4000/1820	5000/2270	6000/2730	7000/3175	93/2350	95/2420	100/2530	54/1370	47/1205	52/1310	8016/3635	8851/4015	9877/4480	10880/4935	6/6 *6/12
ZM400	158/4000	4000/1820	5000/2270	6000/2730	7000/3175	100/2550	103/2620	108/2730	61/1545	55/1390	59/1510	8168/3705	9006/4085	10031/4550	11023/5000	6/6 *6/12
ZM425	168/4250	3800/1725 *4000/1820	4500/2040 *5000/2270	5700/2585 *6000/2730	6200/2815 *6400/2900	105/2675	108/2745	112/2855	66/1670	60/1515	64/1635	8223/3730	9061/4110	10086/4575	11078/5025	6/6 *6/12
ZM450	177/4500	3600/1630 *3800/1725	4200/1905 *4800/2175	5200/2360 *6000/2730	6000/2730 *6100/2765	110/2800	113/2870	117/2980	71/1795	65/1640	69/1760	8278/3755	9116/4135	10130/4595	11133/5050	6/6 *6/12
ZM500	197/5000	3200/1450 *3400/1540	3300/1495 *4400/1995	4800/2175 *5700/2585	5000/2270 *5700/2585	120/3050	123/3120	127/3230	81/2045	75/1910	79/2010	8389/3805	9226/4185	10229/4640	11243/5100	*3/6
ZM550	217/5500	*3200/1450	*3900/1770	*4900/2220	*5000/2270	132/3350	135/3420	139/3530	92/2345	86/2190	91/2310	8576/3890	9414/4270	10648/4830	11673/5295	*3/6
ZM600	236/6000	*3000/1360	*3600/1630	*4400/1995	*4600/2085	142/3600	145/3670	149/3780	102/2595	96/2440	101/2560	8675/3935	9513/4315	10747/4875	11795/5350	*3/6

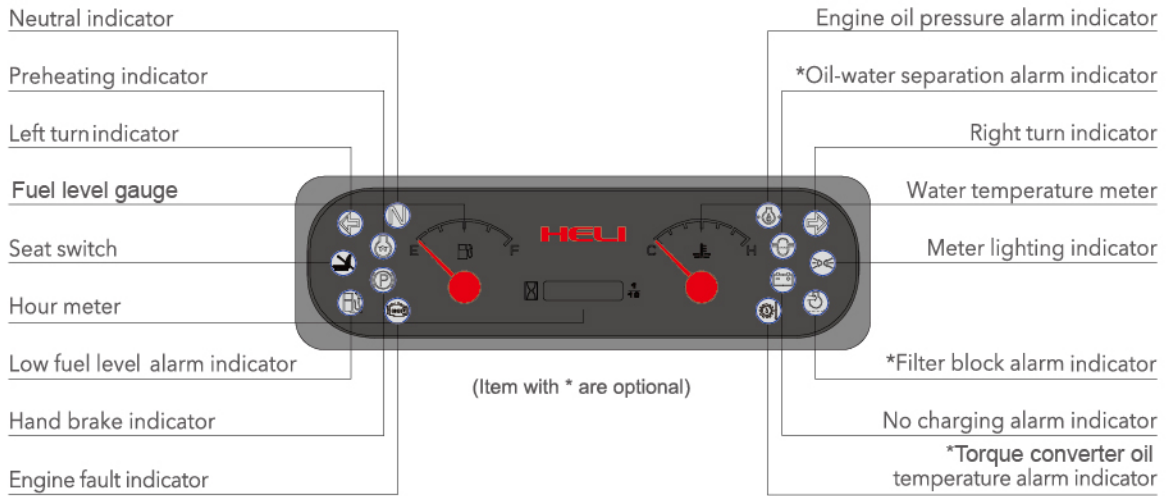
Note: (1) *stands for the rated capacity when the front tire is double-tire.
 (2) When the front tire of the 4000-7000lbs truck is double tire, the service weight of the truck is the weight in the table plus 242lbs.
 (3) The free lifting height (without backrest) of the 2000-3500lbs truck is the height (with backrest) in the table plus 16.9inch. The free lifting height (without backrest) of the 4000-5000lbs truck is the height (with backrest) in the table plus 18.1inch. The free lifting height (without backrest) of the 6000lbs truck is the height (with backrest) in the table plus 23.2inch. The free lifting height (without backrest) of the 7000lbs truck is the height (with backrest) in the table plus 20.6inch.

Wide view Full Free 3-stage mast

Mast type	Max. lifting height in/mm	Loading capacity- loading center 24 inch				Mast Overall Height-fork to the ground			Free Lifting Height-with backrest			Service Weight				Mast tilt angle (Fwd/Bwd) deg
		CPCD20/ CP(Q)YD20	CPCD25/ CP(Q)YD25	CPCD30/ CP(Q)YD30	CPCD35/ CP(Q)YD35	2-2.5t	3t	3.5t	2-2.5t	3t	3.5t	CPCD20/ CP(Q)YD20	CPCD25/ CP(Q)YD25	CPCD30/ CP(Q)YD30	CPCD35/ CP(Q)YD35	
		lbs/kg	lbs/kg	lbs/kg	lbs/kg	in/mm	in/mm	in/mm	in/mm	in/mm	in/mm	lbs/kg	lbs/kg	lbs/kg	lbs/kg	
ZSM360	142/3600	4000/1820	4800/2175	5800/2630	6600/2995	71/1795	77/1946	77/1946	31/795	28/705	28/705	8190/3715	9028/4095	10163/4610	10858/4925	6/6 *6/6
ZSM400	158/4000	3800/1725	4800/2175	5800/2630	6600/2995	76/1920	81/2065	81/2065	36/920	33/830	33/830	8256/3745	9094/4125	10229/4640	10924/4955	6/6 *6/6
ZSM435	171/4350	3700/1680 *3800/1725	4400/1995 *4800/2175	5600/2540 *6000/2730	5800/2630 *6200/2815	81/2045	86/2190	86/2190	41/1045	38/955	38/955	8322/3775	9160/4155	10284/4665	10979/4980	6/6 *6/6
ZSM450	177/4500	3500/1590 *3600/1630	4300/1950 *4600/2085	5400/2450 *5800/2630	5600/2540 *6000/2730	83/2095	88/2240	88/2240	43/1095	40/1005	40/1005	8344/3785	9182/4165	10318/4680	11012/4995	6/6 *6/6
ZSM470	185/4700	3440/1560 *3600/1630	4000/1820 *4600/2085	5200/2360 *5800/2630	5200/2360 *6000/2730	85/2160	88/2240	88/2240	46/1160	40/1005	40/1005	8377/3800	9215/4180	10362/4700	11056/5015	6/6 *6/6
ZSM480	189/4800	3400/1540 *3600/1630	3900/1770 *4600/2085	5000/2270 *5600/2540	5200/2360 *5800/2630	86/2195	92/2340	92/2340	47/1195	44/1105	44/1105	8389/3805	9226/4185	10406/4720	11078/5025	6/6 *6/6
ZSM500	197/5000	3200/1450 *3500/1590	3300/1495 *4500/2040	4800/2175 *5500/2495	4900/2220 *5700/2585	90/2295	96/2440	96/2440	51/1295	47/1205	47/1205	8444/3830	9281/4210	10461/4745	11155/5060	6/6 *6/6
ZSM540	213/5400	2900/1315 *3400/1540	3000/1340 *4300/1950	4500/2040 *5300/2405	4600/2085 *5400/2450	95/2420	101/2565	101/2565	56/1420	52/1330	52/1330	8510/3860	9348/4240	10527/4775	11221/5090	3/6 *3/6
ZSM600	236/6000	1900/860 *3200/1450	2000/910 *3600/1630	3000/1360 *4200/1905	3100/1405 *4400/1995	104/2645	110/2790	110/2790	65/1645	61/1555	61/1555	8686/3940	9524/4320	10725/4865	11420/5180	3/6 *3/6

Note: (1) *stands for the rated capacity when the front tire is double-tire.
 (2) When the front tire of the 4000-7000lbs truck is double tyre, the service weight of the truck is the weight in the table plus 242lbs.
 (3) The free lifting height (without backrest) of the 2000-3500lbs truck is the height (with backrest) in the table plus 19.5inch. The free lifting height (without backrest) of the 4000-5000lbs truck is the height (with backrest) in the table plus 17.8 inch. The free lifting height (without backrest) of the 6000lbs truck is the height (with backrest) in the table plus 22.9inch. The free lifting height (without backrest) of the 7000lbs truck is the height (with backrest) in the table plus 19.2inch.

Heli Dash Display



Heli's display is conveniently placed on the dash so operator can monitor truck's working condition, fault codes and other vital information

Standard configuration

- Horn
- Control valve
- Oil pressure alarm
- Hydraulic-powered steering
- Load backrest
- Rear view mirror
- Transmission oil filter
- Cable type parking brake
- Metric tool case
- Complete front-rear light package
- Back-up alarm
- Adjustable steering column
- Overhead guard rain cover
- Standard forks
- Hydraulic oil filter
- Wide view mast
- Pneumatic tires (standard)
- Tow pin
- 2 forward headlights
- Hydraulic oil dipstick
- Overhead guard
- Torque converter oil dipstick
- Combined instrument panel

Optional

- Cab
- Amber flashing light
- Suspension seat
- Wind shield w/wiper
- Fire extinguisher
- Rear working light
- Solid tires
- Non-marking tires
- Wide carriage
- Torque converter oil temperature meter
- Customer colors
- Attachments

HELI CANADA

5705, place Kubota
 Drummondville (Qc)
 Canada, J2B 6V4
 1-833-HELICAN
 info@heliforklift.ca
 heliforklift.ca

