



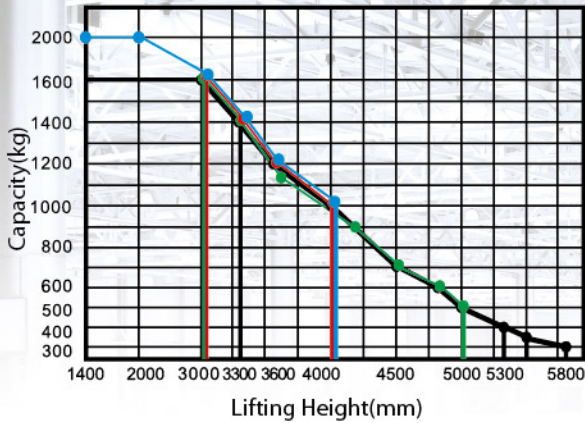
TOP1 FORKLIFT MANUFACTURER AND SALER
IN CHINA FOR CONSECUTIVE 25 YEARS

CDD16/20

Forkover Electric Stacker

Lifting Height: 1400-5800mm

Load Curve



- CDD20-D930
- CDD16-D930
- CDD16-950
- CDD16-350



Advantages

Configuration and Performance

- Electronic power steering system, light and low noise.
- Two-way magnetic valve, three drop speed mode.
- Drive unit floating bodies with patent design.
- AC Driving system, No carbon brush, free maintenance.
- USA CURTIS driving controller.
- Electromagnetic, regenerative braking system.
- Automatic lifting limit, proximity switch, long life.

Safety

- Curve automatic deceleration devices, more safe.
- Vehicle decelerates automatically at higher position.
- Stepless speed control system, safe and quiet.
- Controller with Multiple automatic protection.
- Emergency reversing device/Emergency brake switch.
- High position automatic reduction device.

AG | EPS

Down mode at 3 speeds

Steering automatic deceleration

Truck automatically decelerates while at higher lifting position

Type	Lift height (mm)	Mast type	Outside width between legs (mm)	Inside width between legs (mm)
CDD16-D930	1400/2000/2500/3000/3300/3600/4000	Standard 2-STAGE	550/600/650/685	180/230/280/315
CDD16-950	3700/3900/4200/4500/4700/5000	FULL FREE 3-STAGE		
CDD16-350	5300/5500/5800	FULL FREE 3-STAGE		
CDD20-D930	1400/2000/2500/3000/3300/3600/4000	Standard 2-STAGE		

1. CDD20 Series, Lift height ≤ 2000mm, Load capacity is 2000kg.
2. CDD20 Series, Outside width between forks ≤ 650mm

HELI CDD16/20

Feature

Model		CDD16	CDD20	CDD16	CDD16
Configuration No.		D930	D930	950	350
Type		Narrow legs	Narrow legs	Narrow legs	Narrow legs
Mast type		Standard 2-Stage	Standard 2-Stage	Full free 3-Stage	Full free 3-Stage
Load capacity	kg	1600	2000	1600	1600
Load center	mm	600	600	600	600
Wheel base	mm	1325	1325	1375	1375
Operating type		Walkie/Stand On			

Wheels

Wheels type		PU	PU	PU	PU
Wheel quantity Driving wheel/ Balance wheel/Bearing wheel		1/2/4	1/2/4	1/2/4	1/2/4

Dimension

Standard lift height	mm	1400/2000/2500/3000/ 3300/3600/4000	1400/2000/2500/3000/ 3300/3600/4000	3700/3900/4200/ 4500/4700/5000	5300/5500/5800
Lowered fork height	mm	86	86	85	85
Fork size(length/width/thickness)	mm	1150(1220)/185/55	1150(1220)/185/55	1150(1220)/185/55	1150(1220)/185/55
Overall length	mm	2050/2470	2050/2470	2105/2525	2105/2525
Overall width	mm	856	856	957	957
Max.extend height	mm	1900/2500/3000/3500/ 3800/4100/4500	1900/2500/3000/3500/ 3800/4100/4500	4200/4400/4700/ 5000/5200/5500	5800/6000/6300
Mast lowered height	mm	1185/1535/1765/1980/ 2135/2335/2500	1185/1535/1765/1980/ 2135/2335/2500	1800/1900/1985/ 2085/2135/2235	2520/2590/2690
Min.Turning radius	mm	1580/1990	1580/1990	1630/2040	1630/2040
Min.Aisle width for pallets 800×1200	mm	2180/2580	2180/2580	2230/2625	2230/2625
Min.Aisle width for pallets 1000×1200	mm	2210/2600	2210/2600	2260/2650	2260/2650
MIn.ground clearance	mm	30	30	30	30

Performance

Travel speed,laden/unladen	km/h	5/5	4/4.5	5/5	5/5
Lift speed,laden/unladen	mm/s	130/180	90/170	130/180	130/180
Lowering speed,laden/unladen	mm/s	100/230	80/170	100/160	100/160
Gradeability,laden/unladen	%	5/7	5/7	5/7	5/7

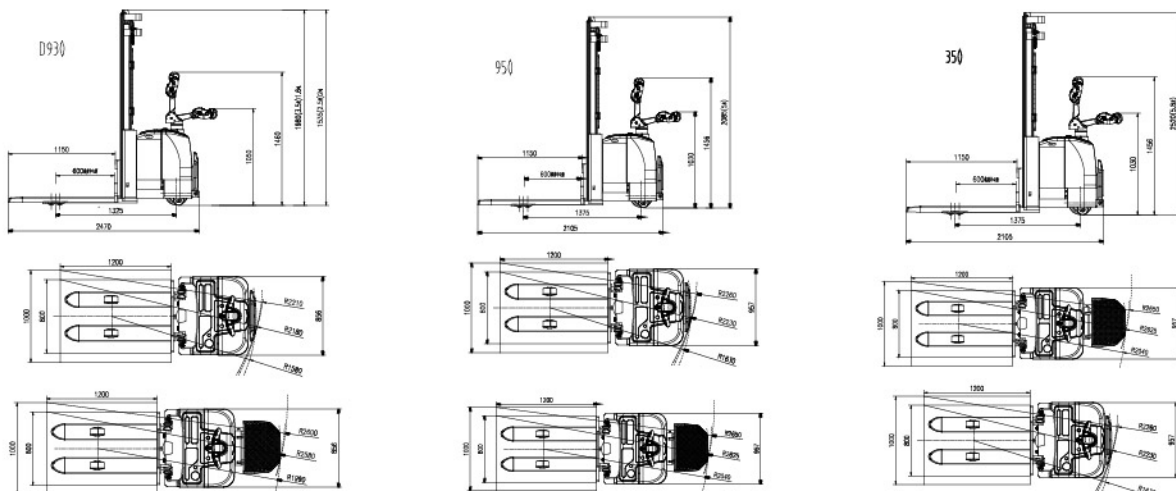
Electrical configuration

Drive motor/Lift motor/Steering motor	kW	AC1.5/DC3/DC0.15	AC1.5/DC3/DC0.15	AC1.5/DC3/DC0.15	AC1.5/DC3/DC0.15
Battery voltage	V	24	24	24	24
Battery capacity	Ah	280	280	280	280
Brake		Electromagnetic/Regenerative			
Controller		CURTIS			

Weight

Battery weight	kg	250	250	250	250
Service weight with battery	kg	1240	1240	1578	1610

* Details of specifications and equipment are based on information available at time of printing and may change without notice.



检测 CNAS L7096

HELI CANADA

5705, place Kubota
Drummondville (Qc)
Canada, J2B 6V4
1-833-HELICAN
info@heliforklift.ca
heliforklift.ca



Our products are subject to improvements and changes without notice.