

# HELI

**4000-6500 lbs** **LITON**

**G series Lithium Battery Counterbalanced  
Cushion Tire Forklift Truck**

80V



## Operator Visibility

- > Hosing and cylinders in mast have been repositioned to produce maximum operator visibility.
- > Arc shape of overhead guard and longitudinal bars allows operator to safely see raised loads.



## Operator Compartment

- > More space and foot room plus increased visibility through mast and overhead guard contribute to operator efficiency and safety.
- > Adjustable grammar seat w/arm rests and OPA (Operator Presence Alarm) combined with smaller diameter steer wheel promotes greater comfort.
- > Rear handle w/horn button used when driving in reverse.
- > Enter/exit operator compartment from both sides.
- > Tilt steering column.



## Energy Efficiency

- > Optimized hydraulic system promotes greater energy efficiency and lower fuel consumption.
- > LED lights are standard equipment.

## Reliability

- > Optimized design of key components including frame, mast, overhead guard and steer axle enhance this forklift's overall safety and reliability.

## Comfortable

- > Rear handle with horn button promotes greater safety when operator is traveling in reverse.
- > Ratchet type hand-brake for ease of operation.
- > Entry and exit of operator's compartment from both sides.
- > Battery can be removed from right side (optional).



## Serviceability

- > Removable side and rear panels provide easy access to key components (pump motor, electric panel and controllers).
- > Removable floor board for easy access to drive motor and transaxle.
- > Easy access to brake fluid reservoir.



## Efficiency

- > Smaller turn radius for better maneuverability.
- > Multi-speed selection function for various work conditions and applications.
- > Faster lift and lower speeds.
- > Full LED light package.
- > Zapi MOSFET electronic travel and lifting controller.
- > Automatic deceleration while steering.



# G SERIES 4000-6500 lbs

## Manufacturers Data and Design Characteristics ( | )

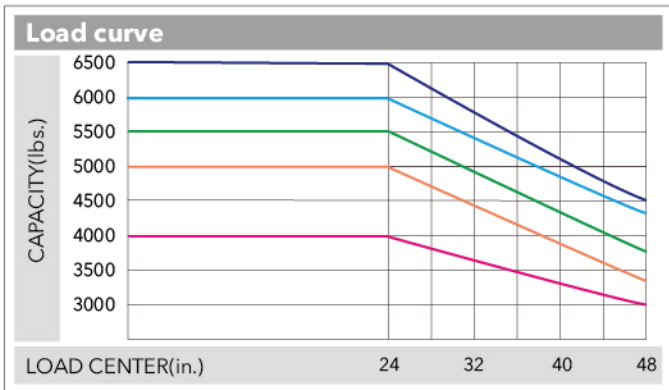
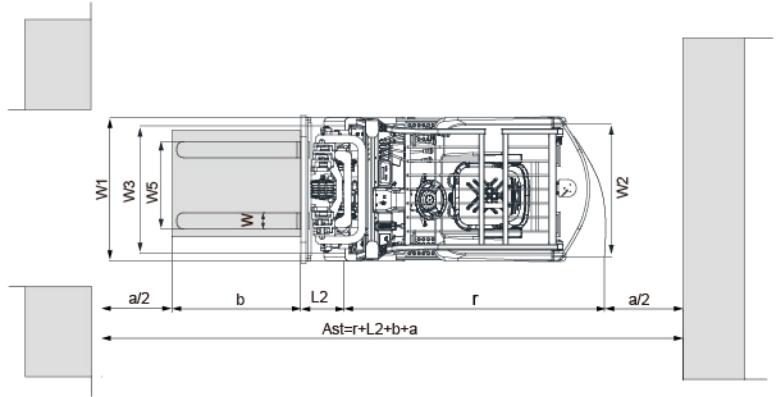
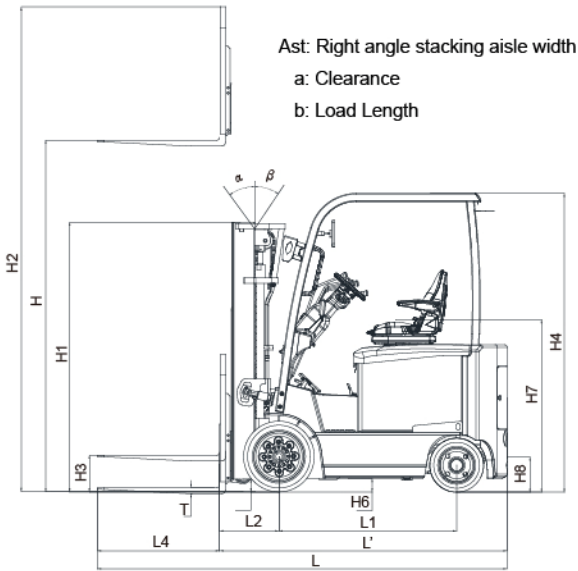
Characteristics									
1.01	Manufacturer								
1.02	Model					CPD20		CPD25	
1.03	Configuration number					GA2CLi		GA2CLi	
1.04	Capacity	At rated load center		lb	Kg	4000	2000	5000	2500
1.05	Capacity	Load center		in	mm	24	500	24	500
1.06	Power	Diesel, gasoline, lp gas, electric				li-ion battery		li-ion battery	
1.07	Tire type	Cushion, solid pneumatic				cushion		cushion	
1.08	Wheels (x=driven)	Number front/rear				2x/2		2x/2	
Dimensions									
2.01	Max.Lifting height		H	in	mm	185	4700	185	4700
2.02	Max.Fork lifting height(with backrest)		H2	in	mm	224	5689	224	5689
2.03	Free lift		H3	in	mm	44	1117	44	1117
2.04	Forks	Length×width×thickness	L4×W×T	in	mm	42×4.8×1.57	1070×122×40	42×4.8×1.57	1070×122×40
2.05	Fork spacing	Out-to-out min/max	W5	in	mm	9.65/38.4	245/975	9.65/38.4	245/975
2.06	Tilt	Forward/backward	α/β	deg	deg	6/5		6/5	
2.07	Overall length(without fork/with fork)		(L/L')	in	mm	84.8/126.9	2155/3225	85.2/127.3	2165/3235
2.08	Overall width		W1	in	mm	42	1072	42	1072
2.09	Mast overall height(to top of lowered mast)		H1	in	mm	84	2135	84	2135
2.1	Overall height(overhead guard)		H4	in	mm	88.5	2248	88.5	2248
2.11	Seat height to sip		H7	in	mm	48.7	1238	48.7	1238
2.12	Drawbar pin height		H8	in	mm	10.2	258	10.2	258
2.13	Min. Outside turning radius		r	in	mm	72.6	1845	73.0	1855
2.14	Load distance, axle to fork face		L2	in	mm	17.5	445	17.5	445
2.15	Minimum aisle - 90° stack - zero clearance without load			in	mm	88.8	2255	88.8	2255
2.16	Min.Right angle stacking aisle width (pallet 1200×1200mm, clearance 200mm)		Ast	in	mm	145.3	3690	145.7	3700
Performance									
3.01	Travel speed	Loaded/unloaded(80 volt)		mph	km/h	11.2/11.2	18/18	11.2/11.2	18/18
3.02	Lift speed	loaded/unloaded(80 volt)		fpm	mm/s	80.7/122	410/620	80.7/122	410/620
3.03	Lowing speed (loaded/unloaded)			fpm	mm/s	88.6/78.7	450/400	88.6/78.7	450/400
3.04	Max.Gradeability	Loaded/unloaded(5 minute rating)		%	%	18/20		18/20	
3.05	Max.Drawbar pull	loaded/unloaded(5 minute rating)		N	N	18500/17000		18500/17000	
Weight									
4.01	Empty	With minimum weight battery		lb	kg	10121	4595	10650	4835
4.02	Axle load with rated load	Front		lb	kg	12985	5895	14595	6626
4.03	Axle load with rated load	Rear		lb	kg	1520	690	1562	709
4.04	Axle load without load	Front		lb	kg	4471	2030	4692	2130
4.05	Axle load without load	Rear		lb	kg	5650	2565	5958	2705
Chassis									
5.01	Tyre size	Front		in	in	21x7-15		21x7-15	
5.02	Tyre size	Rear		in	in	16x6-10.5		16x6-10.5	
5.03	Wheel base		L1	in	mm	53	1340	53	1340
5.04	Tread width	Front tread	W2	in	mm	35.0	890	35.0	890
5.05	Tread width	Rear tread	W3	in	mm	36.2	920	36.2	920
5.06	Ground clearance	At lowest point at mast	H5	in	mm	3.7	95	3.7	95
5.07	Ground clearance	At center of wheelbase	H6	in	mm	4.3	110	4.3	110
5.08	Brakes	Service		type	type	Hydraulic-Foot Pedal		Hydraulic-Foot Pedal	
5.09	Brakes	Parking		type	type	Mechanical-Hand Lever		Hydraulic-Foot Pedal	
Electrical									
6.01	Battery	Capacity at 5 hr. Discharge rate (80 volt)		Ah	Kwh	22/32.5	271/404	22/32.5	271/404
6.02		Weight		lb	kg	2500/2400	1150/1080	2500/2400	1150/1080
6.03		Battery compartment size, maximum		in	mm	39.25x30.70x24.6	997x780x625	39.25x30.70x24.76	997x780x625
6.04	Motors	Drive motor capacity (60 min. rating) (80 volt)		HP	KW	22.6	16.6	22.6	16.6
6.05		Lift output (15% rating) (80 volt)		HP	KW	28.6	21	28.6	21
6.06	Controls	Drive		type	type	MOSFET/AC		MOSFET/AC	
6.07	Controls	Hydraulic		type	type	MOSFET/AC		MOSFET/AC	
6.08	Hydraulic pressure			PSI	Mpa	2030	14	2030	14

# G SERIES 4000-6500 lbs

## Manufacturers Data and Design Characteristics ( II )

Characteristics											
1.01	Manufacturer										
1.02	Model					CPD25		CPD30		CPD32	
1.03	Configuration number					GB2CLi		GA2CLi		GA2CLi	
1.04	Capacity	At rated load center	lb	Kg	5500	2500	6000	3000	6500	2950	
1.05	Capacity	Load center	in	mm	24	600	24	500	24	600	
1.06	Power	Diesel, gasoline, lp gas, electric			li-ion battery		li-ion battery		li-ion battery		
1.07	Tire type	Cushion, solid pneumatic			cushion		cushion		cushion		
1.08	Wheels (x=driven)	Number front/rear			2x/2		2x/2		2x/2		
Dimensions											
2.01	Max. Lifting height		H	in	mm	185	4700	185	4700	185	4700
2.02	Max. Fork lifting height(with backrest)		H2	in	mm	224	5689	234	5933	234	5933
2.03	Free lift		H3	in	mm	44	1117	39	990	39	990
2.04	Forks	Length X width X thickness	L4 X W X T	in	mm	42 X 4.8 X 1.57	1070 X 122 X 40	42 X 4.9 X 1.77	1070 X 125 X 45	42 X 4.9 X 1.77	1070 X 125 X 45
2.05	Fork spacing	Out-to-out min/max	W5	in	mm	9.65/38.4	245/975	9.84/38.4	250/975	9.84/38.4	250/975
2.06	Tilt	Forward/backward	α/β	deg	deg	6/5		6/5		6/5	
2.07	Overall length(without fork/with fork)		(L/L')	in	mm	89.2/131.3	2265/3335	91.4/133.6	2323/3393	92.2/134.3	2341/3411
2.08	Overall width		W1	in	mm	44	1122	44	1122	44	1122
2.09	Mast overall height(to top of lowered mast)		H1	in	mm	84	2135	88	2230	88	2230
2.1	Overall height(overhead guard)		H4	in	mm	88.5	2248	88.5	2248	88.5	2248
2.11	Seat height to sip		H7	in	mm	48.7	1238	48.7	1238	48.7	1238
2.12	Drawbar pin height		H8	in	mm	10.2	258	10.2	258	10.2	258
2.13	Min. Outside turning radius		r	in	mm	77.8	1977	79.6	2021	80.2	2037
2.14	Load distance, axle to fork face		L2	in	mm	17.5	445	18.1	460	18.1	460
2.15	Minimum aisle - 90° stack - zero clearance without load			in	mm	88.8	2255	89.3	2267	89.9	2283
2.16	Min. Right angle stacking aisle width (pallet 1200 X 1200mm, clearance 200mm)		Ast	in	mm	152.3	3869	152.8	3881	153.4	3897
Performance											
3.01	Travel speed	Loaded/unloaded(80 volt)	mph	km/h	11.2/11.2	18/18	11.2/11.2	18/18	11.2/11.2	18/18	
3.02	Lift speed	loaded/unloaded(80 volt)	fpm	mm/s	80.7/122	410/620	70.9/98.4	360/500	70.9/98.4	360/500	
3.03	Lowing speed (loaded/unloaded)		fpm	mm/s	88.6/78.7	450/400	88.6/78.7	450/400	88.6/78.7	450/400	
3.04	Max. Gradeability	Loaded/unloaded(5 minute rating)	%	%	18/20		16/20		16/20		
3.05	Max. Drawbar pull	loaded/unloaded(5 minute rating)	N	N	18500/17000		18500/17500		18500/17500		
Weight											
4.01	Empty	With minimum weight battery	lb	kg	10826	4915	11377	5165	11597	5265	
4.02	Axle load with rated load	Front	lb	kg	14674	6662	15480	7028	16220	7364	
4.03	Axle load with rated load	Rear	lb	kg	1659	753	1910	867	1874	851	
4.04	Axle load without load	Front	lb	kg	5075	2304	4998	2269	4892	2221	
4.05	Axle load without load	Rear	lb	kg	5749	2610	6377	2895	6703	3043	
Chassis											
5.01	Tyre size	Front	in	in	21x8-15		21x8-15		21x8-15		
5.02	Tyre size	Rear	in	in	16x6-10.5		16x6-10.5		16x6-10.5		
5.03	Wheel base		L1	in	mm	57	1440	57	1440	57	1440
5.04	Tread width	Front tread	W2	in	mm	36.0	915	36.0	915	36.0	915
5.05	Tread width	Rear tread	W3	in	mm	36.2	920	36.2	920	36.2	920
5.06	Ground clearance	At lowest point at mast	H5	in	mm	3.7	95	3.7	95	3.7	95
5.07	Ground clearance	At center of wheelbase	H6	in	mm	4.3	110	4.3	110	4.3	110
5.08	Brakes	Service	type	type	Hydraulic-Foot Pedal		Hydraulic-Foot Pedal		Hydraulic-Foot Pedal		
5.09	Brakes	Parking	type	type	Hydraulic-Foot Pedal		Hydraulic-Foot Pedal		Hydraulic-Foot Pedal		
Electrical											
6.01	Battery	Capacity at 5 hr. Discharge rate (80 volt)	Ah	Kwh	32.5/43	404/542	32.5/43	404/542	32.5/43	404/542	
6.02		Weight	lb	kg	2400/2400	1100/1100	2400/2400	1100/1100	2400/2400	1100/1100	
6.03		Battery compartment size, maximum	in	mm	39.25x30.70x24.6	997x880x625	39.25x34.64x24.6	997x880x625	39.25x34.64x24.6	997x880x625	
6.04	Motors	Drive motor capacity (60 min. rating) (80 volt)	HP	KW	22.6	16.6	22.6	16.6	22.6	16.6	
6.05		Lift output (15% rating) (80 volt)	HP	KW	28.6	21	28.6	21	28.6	21	
6.06	Controls	Drive	type	type	MOSFET/AC		MOSFET/AC		MOSFET/AC		
6.07	Controls	Hydraulic	type	type	MOSFET/AC		MOSFET/AC		MOSFET/AC		
6.08	Hydraulic pressure		PSI	Mpa	2030	14	2030	14	2030	14	

# G SERIES 4000-6500 lbs



- CPD32-GA2CLi
- CPD30-GA2CLi
- CPD25-GB2CLi
- CPD25-GA2CLi
- CPD20-GA2CLi

**Note:** The vertical axis stands for load capacity and the horizontal axis stands for load center which is calculated from the front surface of the forks to the gravity of the standard load. The standard load means a cubic with 1000mm edge length. When mast is tilted forward, using non-standard forks or loading large goods, the load capacity will be reduced. The load capacity of standard mast at different load center can be known from this load chart.

## WIDE VIEW MAST

Mast Type	Maximum Fork Height in/mm	Load Capacity at 24" Load Center (lbs.)					Overall Height Freelifit (With Backrest)					Service Weight (unloaded)									
		CPD20-GA	CPD25-GA	CPD25-GB	CPD30-GA	CPD32-GA	CPD20/25-GA CPD25-GB	CPD30-GA CPD32-GB	CPD20/25-GA CPD25-GB	CPD30-GA CPD32-GB	Tilt Range	CPD20-GA		CPD25-GA		CPD25-GB		CPD30-GA		CPD32-GA	
		lbs/kg	lbs/kg	lbs/kg	lbs/kg	lbs/kg	in/mm	in/mm	in/mm	in/mm		lbs	kg	lbs	kg	lbs	kg	lbs	kg	lbs	kg
M200	79/2000	4000/1820	5000/2270	5500/2500	6000/2730	6500/3000	59/1495	65/1640	6/145	6/145	6/8	8674	3938	9401	4268	9952	4518	10617	4820	10837	4920
M250	98/2500	4000/1820	5000/2270	5500/2500	6000/2730	6500/3000	69/1745	74/1890	6/145	6/145	6/8	8775	3984	9502	4314	10053	4564	10716	4865	10936	4965
M270	106/2700	4000/1820	5000/2270	5500/2500	6000/2730	6500/3000	73/1845	78/1990	6/145	6/145	6/8	8817	4003	9544	4333	10095	4583	10753	4882	10974	4982
M300	118/3000	4000/1820	5000/2270	5500/2500	6000/2730	6500/3000	79/1995	84/2140	6/145	6/145	6/8	8877	4030	9604	4360	10154	4610	10797	4902	11018	5002
M330	130/3300	4000/1820	5000/2270	5500/2500	6000/2730	6500/3000	84/2145	90/2290	6/145	6/145	6/8	8954	4065	9681	4395	10231	4645	10872	4936	11093	5036
M350	138/3500	4000/1820	5000/2270	5500/2500	6000/2730	6500/3000	88/2245	94/2390	6/145	6/145	6/8	8996	4084	9722	4414	10273	4664	10912	4954	11132	5054
M370	146/3700	4000/1820	5000/2270	5500/2500	6000/2730	6500/3000	92/2345	98/2490	6/145	6/145	6/8	9040	4104	9767	4434	10317	4684	10952	4972	11172	5072
M400	157/4000	4000/1820	5000/2270	5500/2500	6000/2730	6500/3000	100/2545	106/2690	6/145	6/145	6/5	9196	4175	9923	4505	10474	4755	11110	5044	11330	5144
M425	167/4250	4000/1820	4846/2200	5500/2500	6000/2730	6388/2900	105/2670	111/2815	6/145	6/145	6/5	9249	4199	9976	4529	10526	4779	11159	5066	11379	5166
M450	177/4500	4000/1820	4626/2100	5500/2500	6000/2730	6278/2850	110/2795	116/2940	6/145	6/145	6/5	9306	4225	10033	4555	10584	4805	11209	5089	11430	5189
M475	187/4750	4000/1820	4405/2000	5286/2400	6000/2730	6167/2800	115/2920	121/3065	6/145	6/145	6/5	9357	4248	10084	4578	10634	4828	11258	5111	11478	5211
M500	197/5000	3700/1680	4185/1900	4956/2250	5617/2550	5947/2700	120/3045	126/3190	6/145	6/145	3/3	9410	4272	10137	4602	10687	4852	11306	5133	11526	5233
M550	217/5500	3524/1600	3965/1800	4262/2100	5176/2350	5506/2500	132/3345	137/3490	6/145	6/145	3/3	9610	4363	10337	4693	10888	4943	11507	5224	11727	5324
M600	236/6000	3084/1400	3634/1650	3634/1650	4075/1850	4075/1850	142/3595	147/3740	6/145	6/145	3/3	9720	4413	10447	4743	10998	4993	11604	5268	11824	5368

# G SERIES 4000-6500 lbs

## WIDE VIEW FULL FREE 2-STAGE MAST

Mast Type	Maximum Fork Height in/mm	Load Capacity at 24" Load Center(lbs.)					Overall Height Freelif (With Backrest)				Tilt Range	Service Weight (unloaded)									
		CPD20-GA	CPD25-GA	CPD25-GB	CPD30-GA	CPD32-GA	CPD20/25-GA CPD25-GB	CPD30-GA CPD32-GB	CPD20/25-GA CPD25-GB	CPD30-GA CPD32-GB		CPD20-GA	CPD25-GA	CPD25-GB	CPD30-GA	CPD32-GA	CPD20-GA	CPD25-GA	CPD25-GB	CPD30-GA	CPD32-GA
		lbs/kg	lbs/kg	lbs/kg	lbs/kg	lbs/kg	in/mm	in/mm	in/mm	in/mm		lbs	kg	lbs	kg	lbs	kg	lbs	kg	lbs	kg
ZM200	79/2000	4000/1820	5000/2270	5500/2500	6000/2730	6500/3000	59/1495	65/1640	19/484	16/398	6/8	8714	3956	9441	4286	9991	4536	10696	4856	10916	4956
ZM250	98/2500	4000/1820	5000/2270	5500/2500	6000/2730	6500/3000	69/1745	74/1890	29/734	25/648	6/8	8817	4003	9544	4333	10095	4583	10789	4898	11009	4998
ZM270	106/2700	4000/1820	5000/2270	5500/2500	6000/2730	6500/3000	73/1845	78/1990	33/834	29/748	6/8	8861	4023	9588	4353	10139	4603	10833	4918	11053	5018
ZM300	118/3000	4000/1820	5000/2270	5500/2500	6000/2730	6500/3000	79/1995	84/2140	39/984	35/898	6/8	8925	4052	9652	4382	10203	4632	10894	4946	11115	5046
ZM330	130/3300	4000/1820	5000/2270	5500/2500	6000/2730	6500/3000	84/2145	90/2290	45/1134	41/1048	6/8	8991	4082	9718	4412	10269	4662	10949	4971	11170	5071
ZM350	138/3500	4000/1820	5000/2270	5500/2500	6000/2730	6500/3000	88/2245	94/2390	49/1234	45/1148	6/8	9033	4101	9760	4431	10311	4681	10989	4989	11209	5089
ZM370	146/3700	4000/1820	5000/2270	5500/2500	6000/2730	6500/3000	92/2345	98/2490	53/1334	49/1248	6/8	9075	4120	9802	4450	10352	4700	11030	5008	11251	5108
ZM400	157/4000	4000/1820	5000/2270	5500/2500	6000/2730	6500/3000	100/2545	106/2690	60/1534	57/1448	6/5	9236	4193	9963	4523	10513	4773	11203	5086	11423	5186
ZM425	167/4250	4000/1820	4846/2200	5500/2500	6000/2730	6388/2900	105/2670	111/2815	65/1659	62/1573	6/5	9291	4218	10018	4548	10568	4798	11251	5108	11471	5208
ZM450	177/4500	4000/1820	4626/2100	5500/2500	6000/2730	6278/2850	110/2795	116/2940	70/1784	67/1698	6/5	9346	4243	10073	4573	10623	4823	11302	5131	11522	5231
ZM475	187/4750	4000/1820	4405/2000	5286/2400	6000/2730	6167/2800	115/2920	121/3065	75/1909	72/1823	6/5	9401	4268	10128	4598	10678	4848	11352	5154	11573	5254
ZM500	197/5000	3700/1680	4185/1900	4956/2250	5617/2550	5947/2700	120/3045	126/3190	80/2034	77/1948	3/3	9456	4293	10183	4623	10733	4873	11401	5176	11621	5276
ZM550	217/5500	3524/1600	3965/1800	4262/2100	5176/2350	5506/2500	132/3345	137/3490	92/2334	88/2248	3/3	9659	4385	10385	4715	10936	4965	11599	5266	11819	5366
ZM600	236/6000	3084/1400	3634/1650	3634/1650	4075/1850	4075/1850	142/3595	147/3740	102/2584	98/2498	3/3	9769	4435	10496	4765	11046	5015	11700	5312	11921	5412

NOTE: CPD20/25 free lift height (without backrest) +14.3 in;  
CPD30/32 free lift height (without backrest) +18.8 in;

## WIDE VIEW FULL FREE 3-STAGE MAST

Mast Type	Maximum Fork Height in/mm	Load Capacity at 24" Load Center(lbs.)					Overall Height Freelif (With Backrest)				Tilt Range	Service Weight (unloaded)									
		CPD20-GA	CPD25-GA	CPD25-GB	CPD30-GA	CPD32-GA	CPD20/25-GA CPD25-GB	CPD30-GA CPD32-GB	CPD20/25-GA CPD25-GB	CPD30-GA CPD32-GB		CPD20-GA	CPD25-GA	CPD25-GB	CPD30-GA	CPD32-GA	CPD20-GA	CPD25-GA	CPD25-GB	CPD30-GA	CPD32-GA
		lbs/kg	lbs/kg	lbs/kg	lbs/kg	lbs/kg	in/mm	in/mm	in/mm	in/mm		lbs	kg	lbs	kg	lbs	kg	lbs	kg	lbs	kg
ZSM360	142/3600	4000/1820	5000/2270	5500/2500	6000/2730	6500/2950	70/1781	74/1880	30/759	25/622	6/5	9702	4405	10231	4645	10803	4905	11142	5058	11362	5158
ZSM400	158/4000	4000/1820	5000/2270	5500/2500	6000/2730	6500/2950	75/1905	79/2014	35/884	30/757	6/5	9760	4431	10289	4671	10862	4931	11239	5103	11459	5203
ZSM435	171/4350	4000/1820	4856/2250	5500/2500	6000/2730	6500/2950	80/2029	84/2129	40/1008	34/871	6/5	9840	4467	10368	4707	10941	4967	11312	5136	11532	5236
ZSM450	177/4500	4000/1820	4912/2230	5500/2500	6000/2730	6460/2930	83/2096	86/2179	42/1074	36/922	6/5	9867	4480	10396	4720	10968	4980	11321	5140	11542	5240
ZSM470	185/4700	4000/1820	4846/2200	5390/2450	6000/2730	6390/2900	84/2144	88/2230	44/1123	38/73	6/5	9903	4496	10432	4736	11004	4996	11377	5165	11598	5265
ZSM480	189/4800	4000/1820	4736/2150	5280/2400	5940/2700	6280/2850	86/2179	90/2281	46/1158	40/1024	6/5	9922	4505	10451	4745	11023	5005	11405	5178	11626	5278
ZSM500	197/5000	3920/1780	4626/2100	5240/2380	5840/2650	6230/2830	90/2281	92/2339	50/1260	43/1082	6/5	9973	4528	10501	4768	11074	5028	11450	5198	11670	5298
ZSM540	213/5400	3810/1730	4405/2000	4950/2250	5500/2500	6010/2730	95/2405	98/2489	55/1384	49/1232	3/5	10043	4559	10571	4799	11144	5059	11539	5238	11759	5338
ZSM600	236/6000	3520/1600	3965/1800	4070/1850	4383/1990	4230/1920	104/2629	107/2705	63/1608	57/1448	3/5	10196	4629	10725	4869	11298	5129	11754	5337	11975	5437
ZSM650	256/6500	2500/1135	2900/1316	3000/1362	3300/1500	3083/1400	111/2819	114/2891	71/1798	64/1633	3/3	10296	4674	10825	4914	11397	5174	11855	5382	12075	5482
ZSM700	276/7000	1700/770	1800/817	1900/862	2200/1000	2092/950	122/3089	124/3139	81/2068	74/1882	3/3	10432	4736	10961	4976	11534	5236	11991	5444	12211	5544

NOTE: CPD20/25 free lift height (without backrest) +14.2 in;  
CPD30/32 free lift height (without backrest) +19.5 in;

## WIDE VIEW FULL FREE 4-STAGE MAST

Mast Type	Maximum Fork Height in/mm	Load Capacity at 24" Load Center(lbs.)					Overall Height Freelif (With Backrest)				Tilt Range	Service Weight (unloaded)									
		CPD20-GA	CPD25-GA	CPD25-GB	CPD30-GA	CPD32-GA	CPD20/25-GA CPD25-GB	CPD30-GA CPD32-GB	CPD20/25-GA CPD25-GB	CPD30-GA CPD32-GB		CPD20-GA	CPD25-GA	CPD25-GB	CPD30-GA	CPD32-GA	CPD20-GA	CPD25-GA	CPD25-GB	CPD30-GA	CPD32-GA
		lbs/kg	lbs/kg	lbs/kg	lbs/kg	lbs/kg	in/mm	in/mm	in/mm	in/mm		lbs	kg	lbs	kg	lbs	kg	lbs	kg	lbs	kg
ZFM490	193/4900	3744/1700	4626/2100	5000/2270	5727/2400	5947/2500	73/1845	73/1845	35/895	26/650	6/5	10018	4548	10744	4878	11317	5138	11846	5378	12066	5478
ZFM560	220/5600	3524/1600	4185/1900	4626/2100	5286/2250	5507/2350	80/2030	80/2030	43/1080	33/835	6/5	10150	4608	10877	4938	11449	5198	11978	5438	12198	5538
ZFM611	240/6110	3084/1400	3965/1800	4405/2000	4846/2200	4956/2250	84/2145	84/2145	47/1195	37/950	3/5	10233	4646	10960	4976	11533	5236	12062	5476	12282	5576
ZFM650	256/6500	2423/1100	2863/1600	3304/1650	3744/1700	3744/1700	88/2245	88/2245	51/1295	41/1050	3/5	10306	4679	11033	5009	11606	5269	12134	5509	12355	5609
ZFM702	276/7020	1762/800	2423/1050	2863/1150	3304/1000	3194/950	95/2401	95/2401	57/1451	47/1206	3/3	10416	4729	11143	5059	11716	5319	12244	5559	12465	5659
ZFM750	295/7500	1322/600	1762/800	2203/1000	2643/800	2423/750	100/2550	100/2550	63/1600	53/1355	3/3	10520	4776	11247	5106	11819	5366	12348	5606	12568	5706

NOTE: CPD20/25 free lift height (without backrest) +12 in;  
CPD30/32 free lift height (without backrest) +21.6 in;

## Reliable special designed instrument

Alphanumeric display

Battery discharge indicator



Keyboard button :Enter

Hour meter

Keyboard button :Roll up

Failure alarm LED

Low battery LED

Keyboard button :Roll down

Exit button

Seat switch LED

Handbrake status

Keyboard button:Set down

Oil temperature alarm(reserve)

Keyboard button :Set up

ZAPI Display

- The reliable special instrument gives a complete display of the vital information, like operation status, fault detection, etc. It ensures the operator predominate the vehicle status more intuitive and convenient.

## Charger technology



- **High Efficiency**  
Charging efficiency higher than 95% meeting the requirements of energy saving and emissions reduction.
- **Fast Charge**  
Maximum charging current 200A.
- **Compatibility**  
48 v / 80 v compatibility meeting the demand of different voltage levels.
- **Safety**  
Built-in mis-connecting protection offering self isolating function under fault;  
Perfect fault self checking alarm facilitating users maintenance .

## Standard configuration

185" 3-stage full free lift mast.  
Three-spool control valve  
Hose block and tackle  
ZAPI Mosfet electronic travel controllers and lifting controller  
Engage IV/ Smart display  
Traveling OPS control system  
DC-DC converter  
AC pump motor  
U.S. standard screw thread  
Load backrest  
80V system  
Back up handle with horn button  
Standard fork

Warning lights (Flicker)  
Tilt cylinder (6 fwd/ 5 back)  
Smooth cushion tires  
Front combo lights(LED)  
Rear combo lights(LED)  
Back-up alarm  
Tow pin  
Automatic deceleration when steering  
Side view mirror

## Optional

10°/5°(forward/rear) tilt for special mast  
2-stage mast  
Sideshift  
Nonstandard forks in length  
Other attachments  
Warning lights (Buzzer)  
Higher or lower height overhead guard  
Battery side-pull  
Rear work light  
Various type tires  
Lifting OPS control system  
Battery charger

\* Details of specifications and equipment are based on information available at time of printing and may change without notice.



## HELI CANADA

5705, place Kubota  
Drummondville (Qc)  
Canada, J2B 6V4  
1-833-HELICAN  
info@heliforklift.ca  
heliforklift.ca



Our products are subject to improvements and changes without notice.