

7700 lbs (3.5 ton) Electric Pallet Truck CBD35 - 510/520/530

> Standard Features

- Curtis AC drive controller
- Quiet, electronic steer system
- Load backrest
- Side battery removal
- Heavy duty caster & load wheels

> Options

- Forks up to 96" (2438mm)
- Rubber drive tire

> Benefits

- Large rider platform
- Patented, floating drive unit
- Low maintenance AC drive system
- Easy to reach controls
- Low effort steer handle
- Self-centering drive wheel
- Rugged frame and fork design
- Simple component layout for easy access and serviceability
- Easy to remove, durable steer cover

> Safety

- Multiple, automatic braking modes
- Controller equipped with automatic protection
- Emergency reverse button
- Emergency brake switch



Polyurethane load and caster wheels have sealed bearings and are easy to service



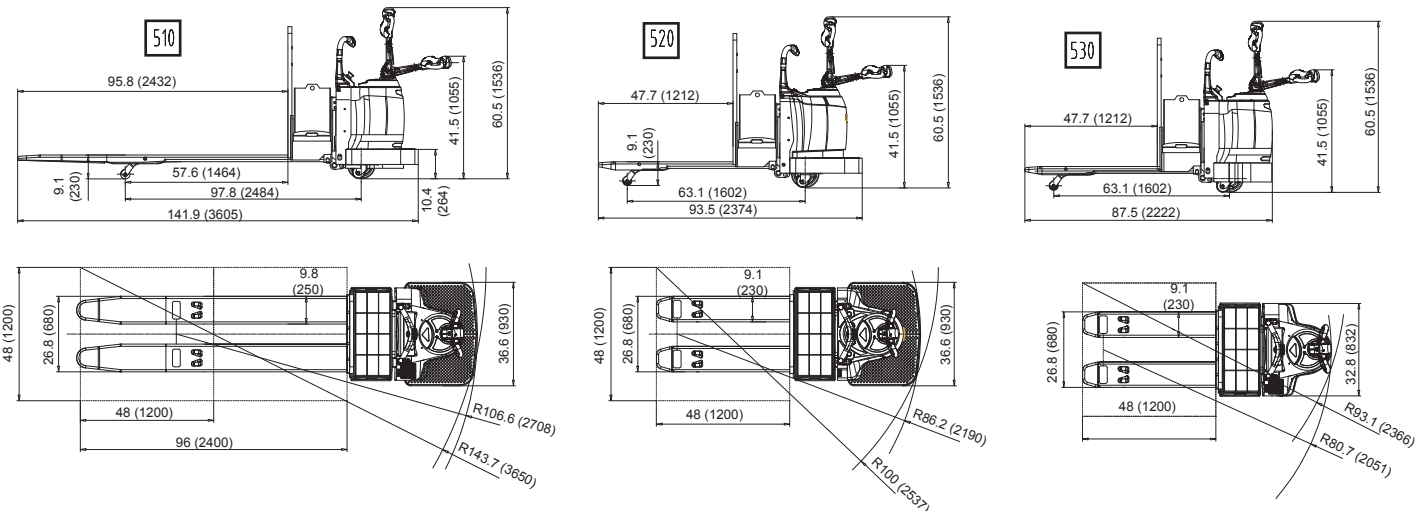
Ergonomic control handle with fingertip buttons



Easy to access compartment with simple component layout

Feature				
Model		CBD35		
Configuration No.		510	520	530
Load capacity	lbs (kg)	7720 (3500)		
Pallet type		Double pallet	Single pallet	Single pallet
Wheel base	in (mm)	82.05 (2084)	63.07 (1602)	63.07 (1602)
Operator position		Walkie / Rider	Walkie / Rider	Walkie
Wheels				
Wheels type		Polyurethane		
Wheel quantity (drive/caster/load)		1/4/2		
Drive wheel size (diameter x length)		11.81 x 4.72 (300 x 120)		
Caster wheel size (diameter x length)	in (mm)	4.53 x 2.17 (115 x 55)		
Load wheel size (diameter x length)	in (mm)	3.31 x 5.98 (84 x 152)		
Dimension				
Min. fork lowered height	in (mm)	3.35 (85)		
Max. fork lifting height	in (mm)	9.06 (230)		
Max. lifting height	in (mm)	5.71 (145)		
Overall fork width (outside / inside)	in (mm)	26.8/7.1 (680/180)	26.8/8.7 (680/220)	26.8/8.7 (680/220)
Fork lengths	in (mm)	95.75 (2432)	47.72 (1212)	47.72 (1212)
			53.74 (1365)	53.74 (1365)
			59.72 (1517)	59.72 (1517)
Fork width	in (mm)	9.84 (250)	9.06 (230)	9.06 (230)
Fork thickness	in (mm)	2.36 (60)	2.36 (60)	2.36 (60)
Overall length	in (mm)	141.9 (3605)	93.5 (2374)	87.5 (2222)
Overall width	in (mm)	36.6 (930)	36.6 (930)	32.8 (832)
Overall height (with handle)	in (mm)	60.5 (1536)	60.5 (1536)	60.5 (1536)
Overall height (without handle)	in (mm)	50.4 (1280)	50.4 (1280)	50.4 (1280)
Min. turning radius	in (mm)	106.6 (2708)	86.2 (2190)	80.7 (2051)
Min. aisle width 48" (1200mm) sq pallet	in (mm)	143.7 (3650)	99.8 (2536)	93.1 (2365)
Performance				
Travel speed (loaded / unloaded)	mph (kph)	6.8/8.7 (11/14)	6.8/8.7 (11/14)	2.5/2.8 (4/4.5)
Gradeability (loaded / unloaded)	%	5/12	5/12	5/10
Electrical configuration				
Drive motor (type / power)	kW	AC / 4.2	AC / 4.2	AC / 1.5
Lift motor (type / power)	kW		DC / 2.2	
Steering motor (type / power)	kW		DC / 0.15	
Battery voltage / capacity	V/Ah	24/360		
Battery compartment (LxWxH)	in (mm)	13.25 x 32.25 x 25 (337 x 819 x 635)		
Brake		Electromagnetic/Regenerative		
Drive controller		Curtis AC		
Weight				
Battery weight	lbs (kg)	882 (400)	882 (400)	882 (400)
Service weight with battery	lbs (kg)	2469 (1120)	2303 (1045)	2006 (910)

All dimensional and performance specifications shown are for reference and subject to change without notice.



检测 CNAS L7096

HELI CANADA

5705, place Kubota
 Drummondville (Qc)
 Canada, J2B 6V4
 1-833-HELICAN
 info@heliforklift.ca
 heliforklift.ca

